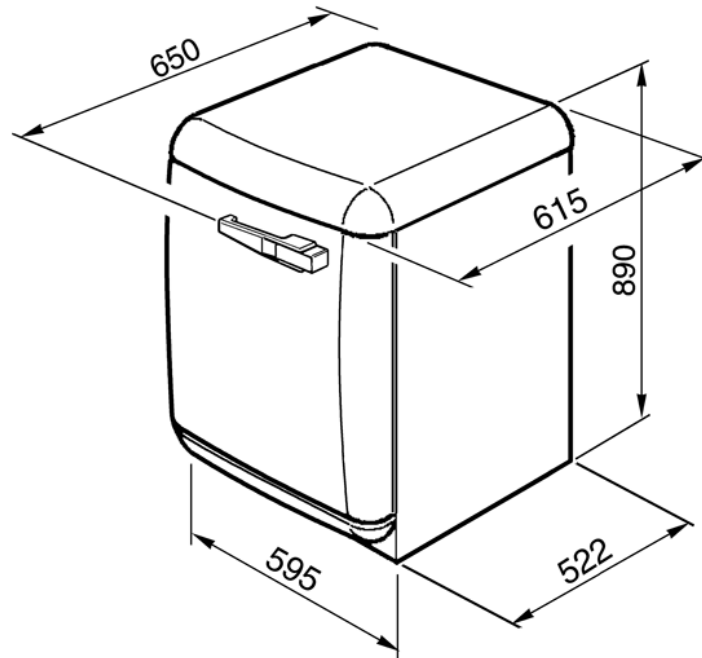


50's style free-standing washing machine, Black
Energy rating AAA
EAN13: 8017709126995



• Electronic display panel • 5 buttons: start / pause, rapid wash, easy iron, delay timer, spin • Rinse hold • On / off & Programme control • Door opening release • 15 washing programmes, including 30° Daily 2.5kg quick wash, plus 3 options: rapid wash, easy iron, delay timer • Variable spin speed up to 1600 rpm • Max 5kg of dry laundry • St/steel drum and tank • Extra large 300mm porthole • Colour co-ordinating front door • Limited inner door storage • Door safety lock • Automatic variable load negates the need for half load option • Self cleaning pump & filter • Adjustable feet • Total Aquastop • CONSUMPTION: Water: 47 litres Energy: 0.95 kW/h Nominal power: 2.00 kW • Energy efficiency: A Washing performance: A Spin drying performance: A • NB: This product is free-standing. It is not designed to be built-in and cannot be slotted beneath a worktop. A gap of 100mm must be left on the left-hand side of the product to allow the door to open.

Functions



Versions

• WMFAB16P - 50's style free standing washing machine, cream • WMFAB16RO - 50's style free-standing washing machine, pink • WMFAB16AZ - 50's style free standing washing machine, Pastel blue